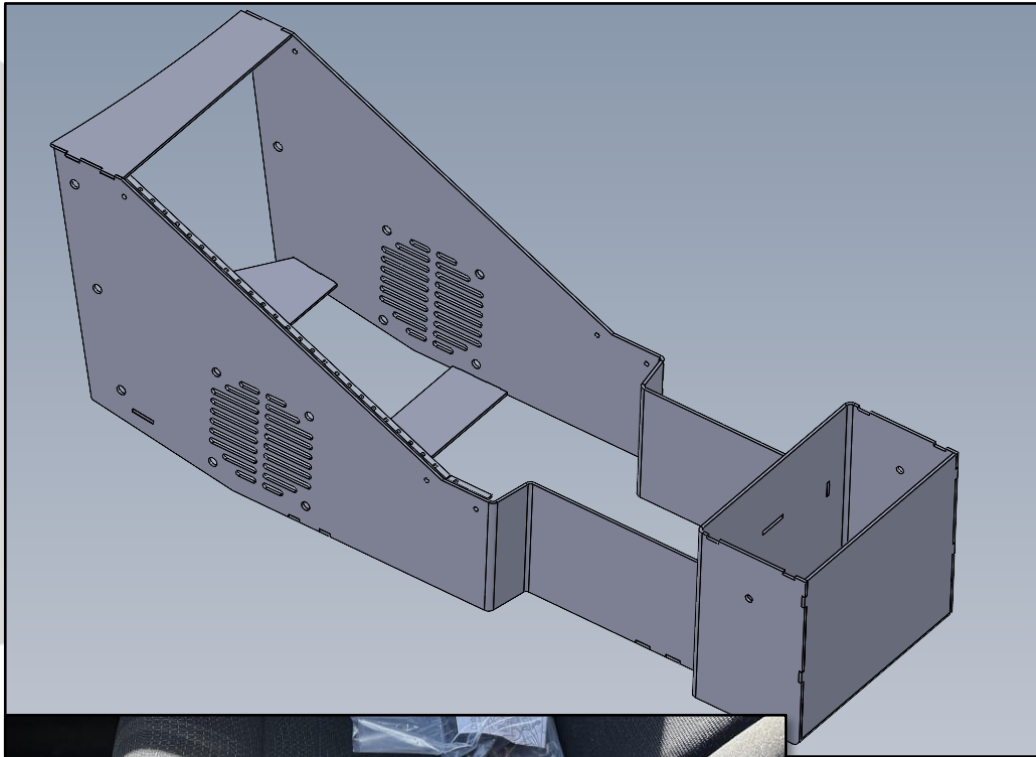


EMERGENCY EQUIPMENT

INV-CON-DN-CHRG

INSTALLATION INSTRUCTIONS



INSTALLATION OF CONSOLE WITH MOUNTING PLATE

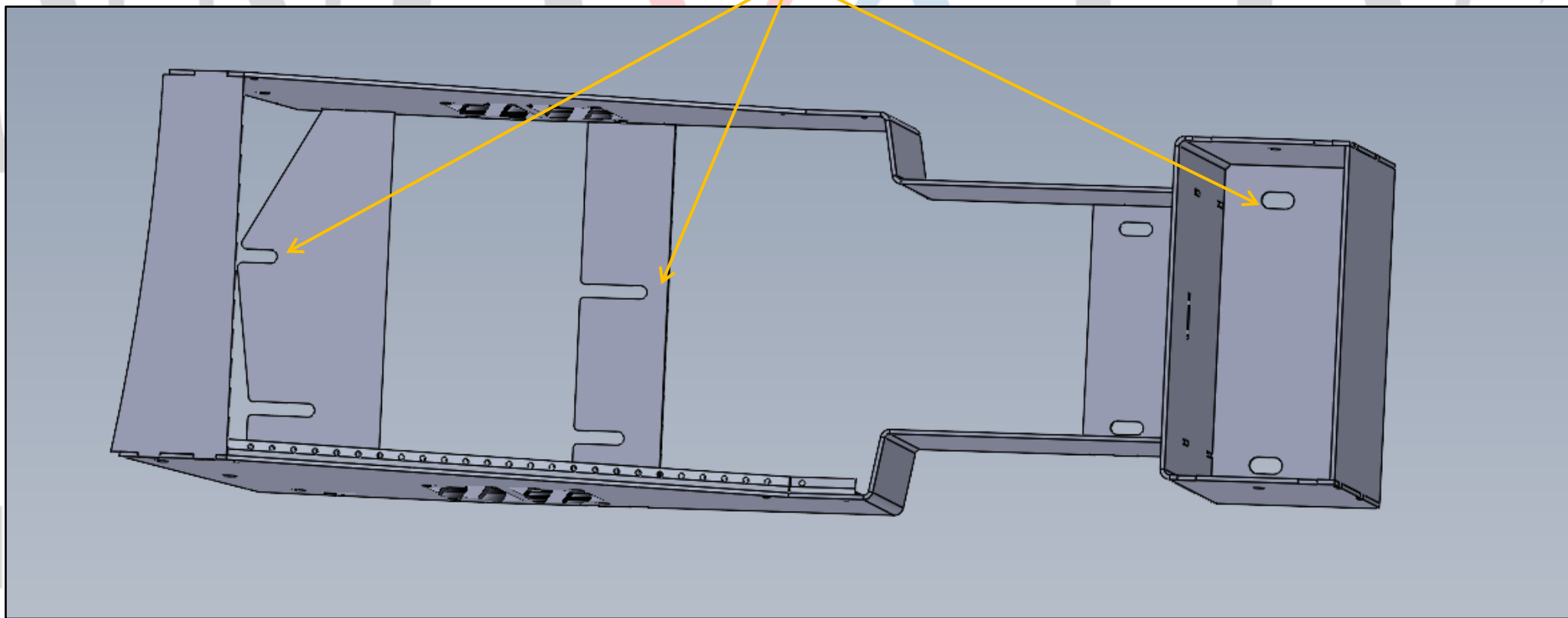
INSTALL KIT INCLUDES:

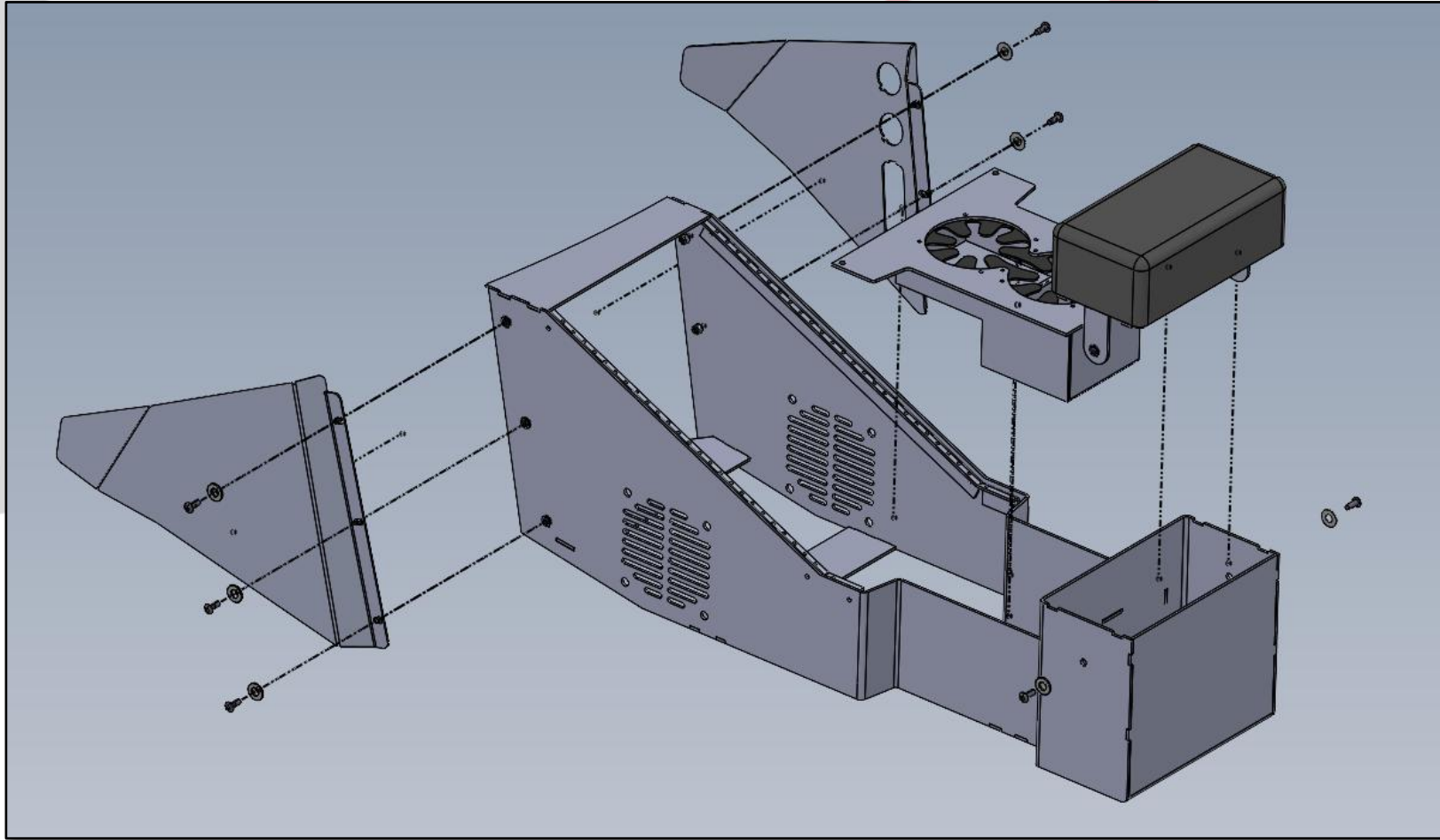
CONSOLE, CUPHOLDER, AND
ARMREST ASSEMBLY
7X 10-32X ½" SCREWS
7X #10 WASHERS

START INSTALLATION BY REMOVING THE
FACTORY CONSOLE AND ARMREST. SET ASIDE
MOUNTING HARDWARE TO USE FOR THE
NEW CONSOLE INSTALL.

PLACE FLOOR PLATE OVER STUDS USED FOR FACTORY CONSOLE.

SECURE CONSOLE BASE USING FACTORY HARDWARE.

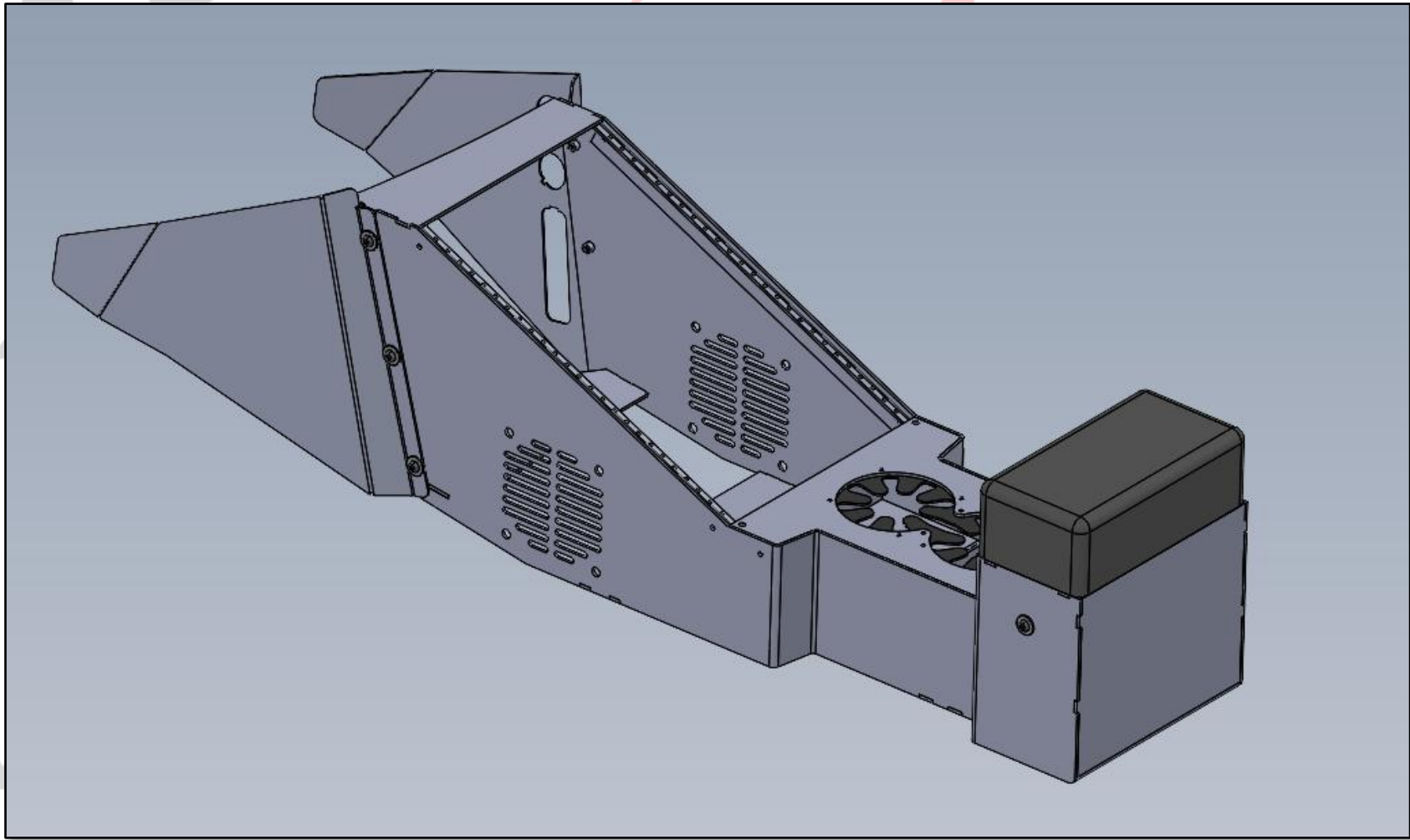




USING PROVIDED HARDWARE,
ATTACH SIDE WINGS, CUPHOLDER,
AND ARMREST

EMERGENCY EQUIPMENT

INSTALLATION IS COMPLETE





1616 MARLBOROUGH AVE. RIVERSIDE, CA 92507

FOR TECHNICAL ASSISTANCE WITH INSTALLATION OR
OTHER QUESTIONS, PLEASE CALL (951) 222-2270

OR EMAIL SUPPORT@IDSMP.COM

Thank you for your business!