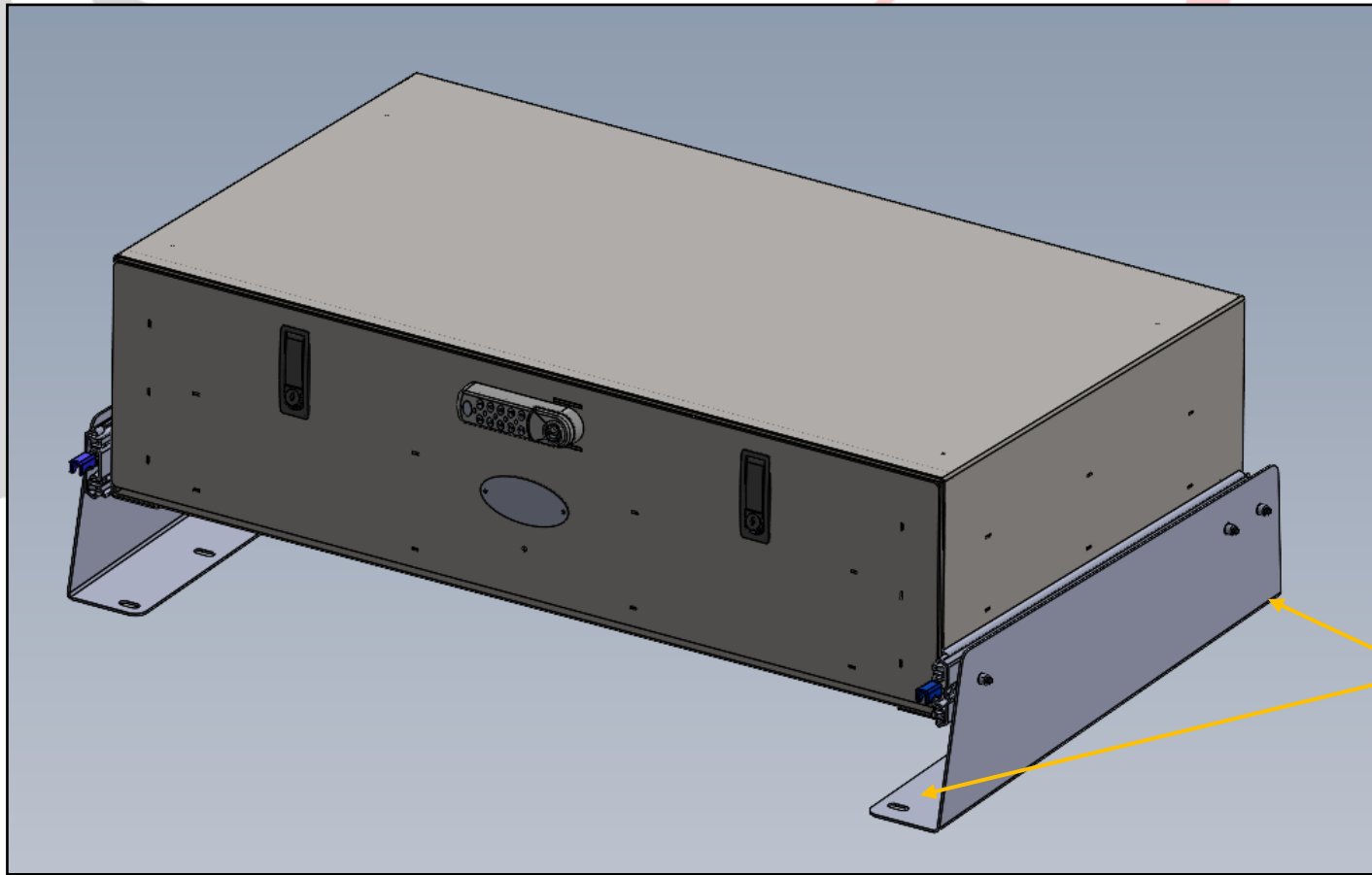


EMERGENCY EQUIPMENT

INV-BOX-MK-OUTBACK

INSTALLATION INSTRUCTIONS



INSTALLATION OF REAR SLIDING BOX MOUNT

INSTALL KIT INCLUDES:

1 PAIR MOUNTING BRACKETS

1 SET LOCKING SLIDE RAILS

6X ¼-20 NUTSERTS

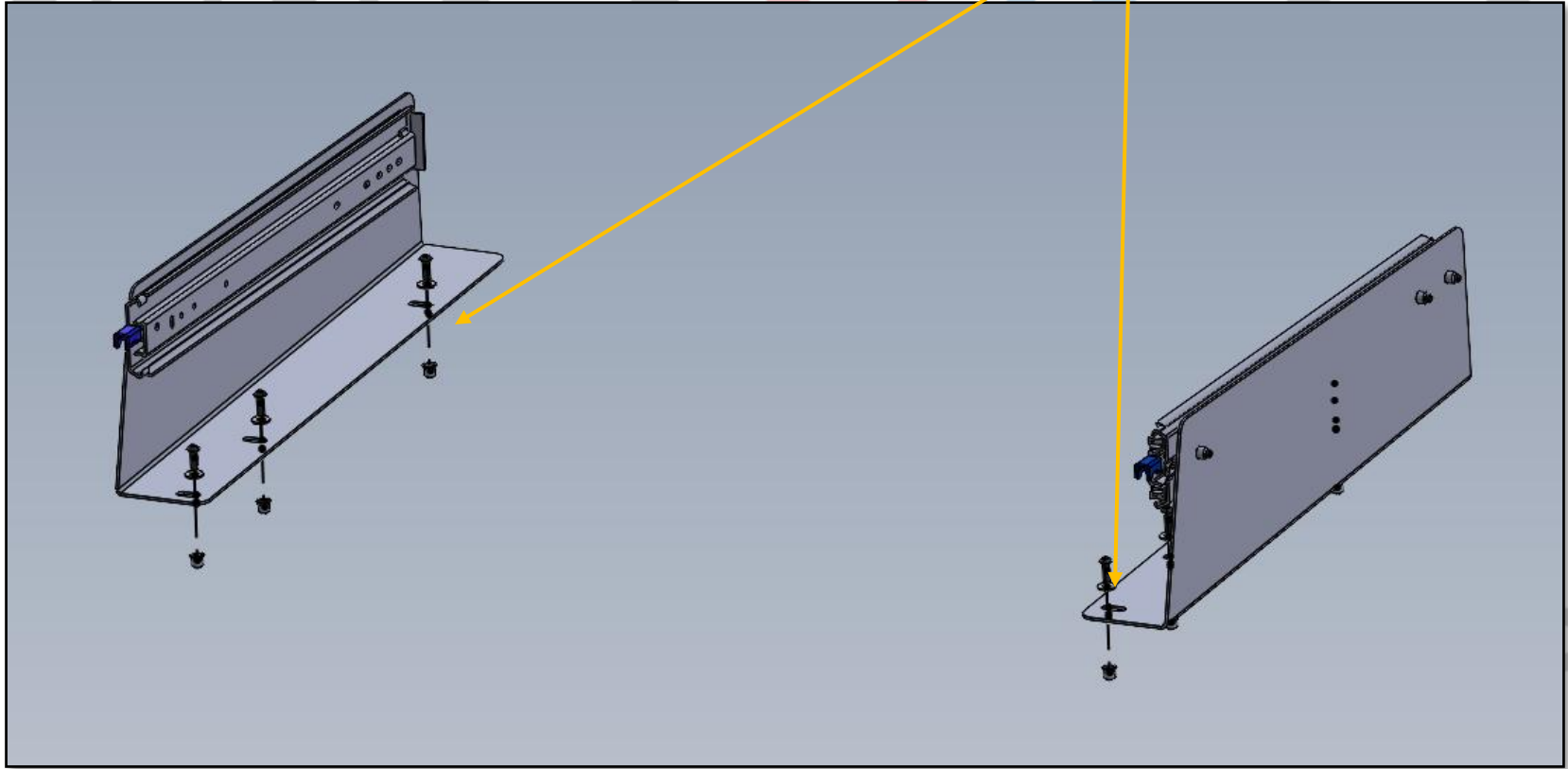
6X ¼-20 X ¾" SHCS & WASHERS

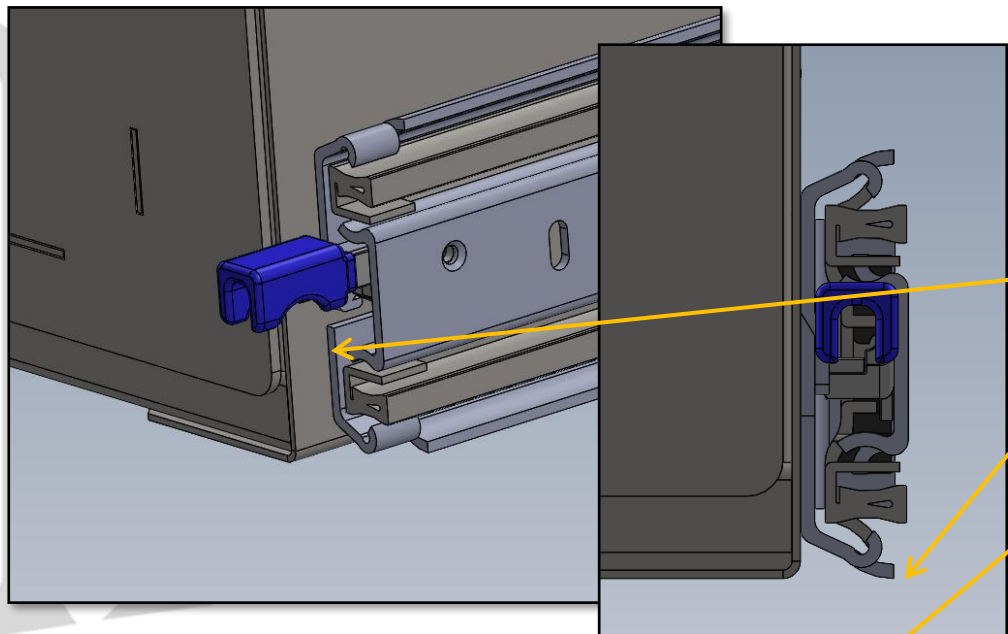
ALL HARDWARE FOR SLIDE INSTALLATION

STEP 1) SLIDES AND BRACKETS MOUNTED TO BOX, MEASURE AND MARK THE VEHICLE FLOOR FOR MOUNTING HOLES

EMERGENCY EQUIPMENT

DRILL HOLES AND INSTALL ¼-20 NUTSERTS
MOUNT BRACKETS TO VEHICLE USING
PROVIDED HARDWARE



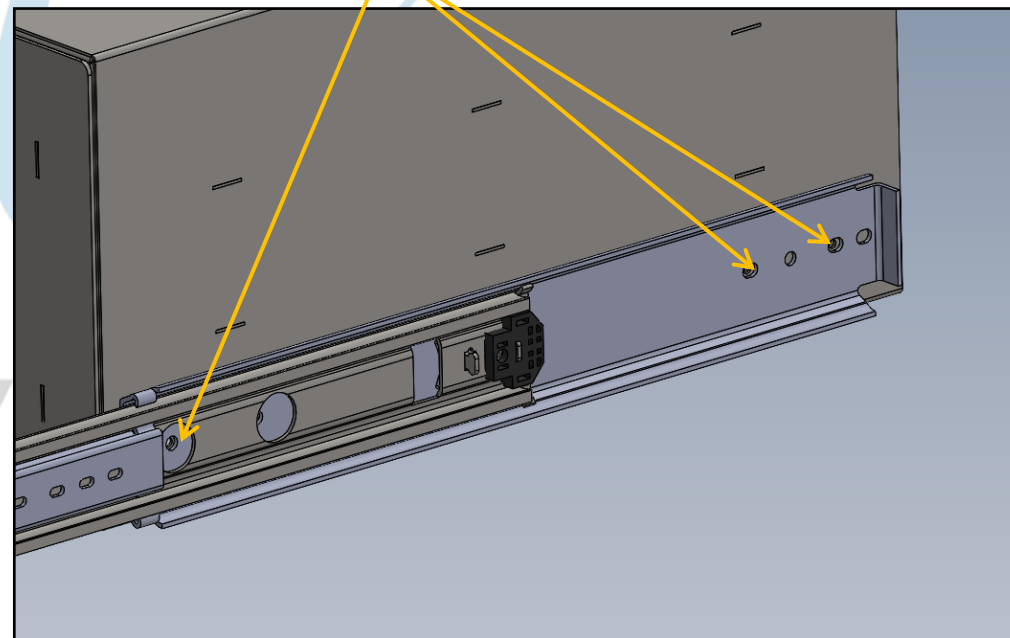
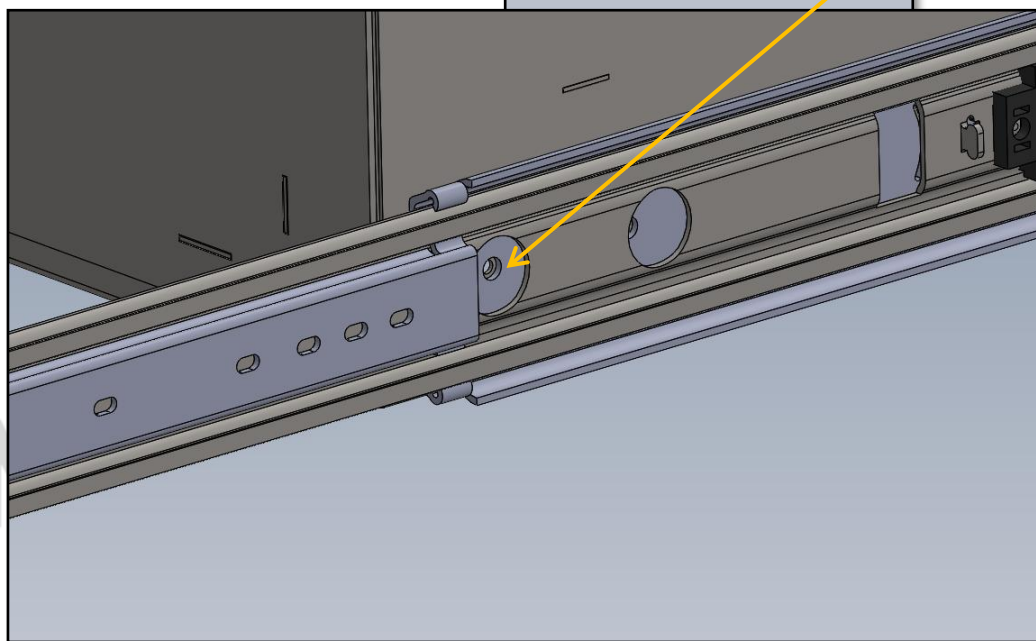


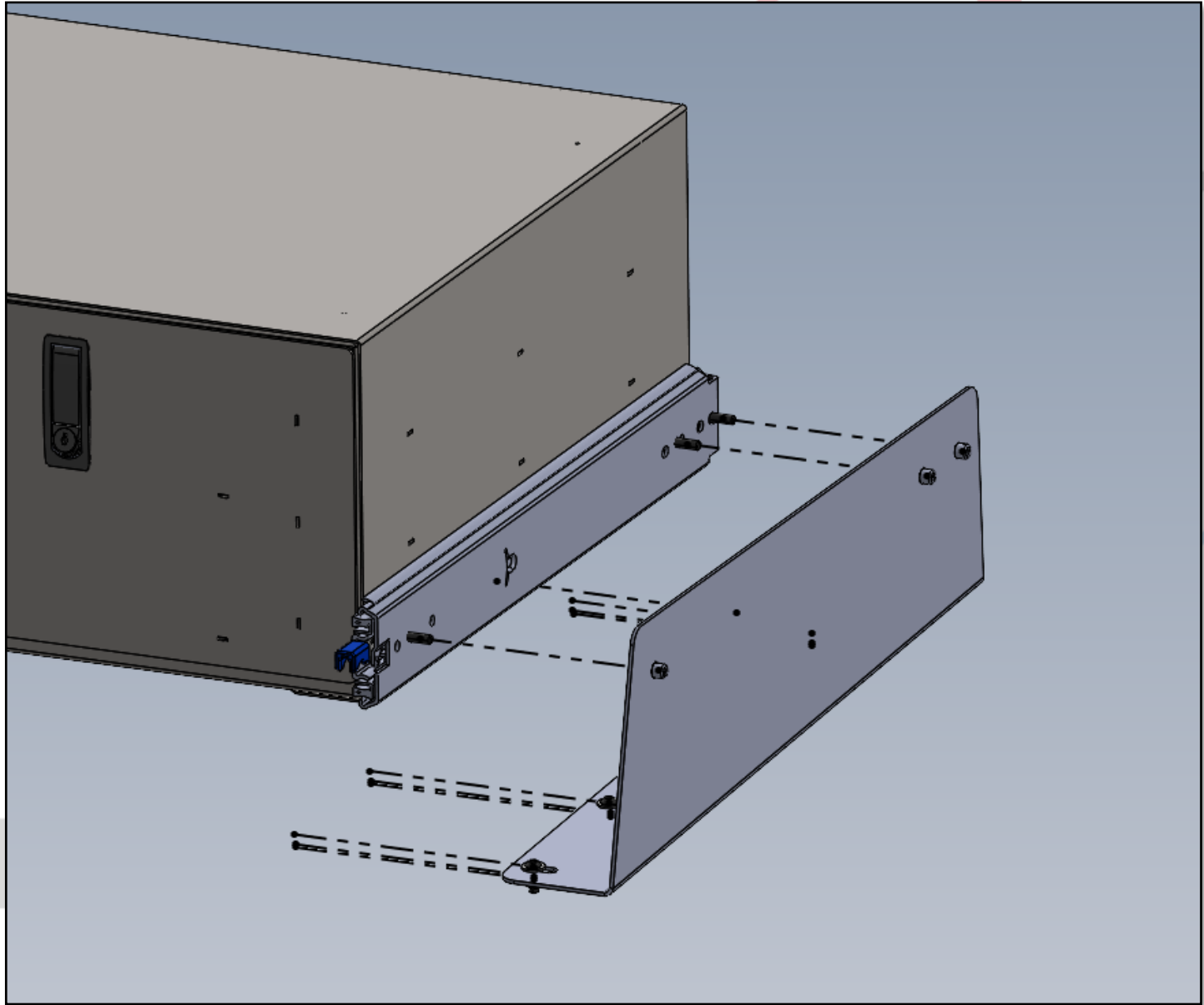
NOTE: IF BOX DOES NOT HAVE PRE-INSTALLED NUTSERTS YOU WILL NEED TO MARK AND DRILL HOLES AS FOLLOWS:

LINE SLIDE UP TO BOX AS SHOWN, APPROX 3/8" TO 1/2" FROM FRONT EDGE, AND LEVEL WITH BOTTOM EDGE.

OPEN SLIDE ENOUGH TO SEE FORWARD MOST MOUNTING HOLE.

USING SLIDE HOLES SHOWN, MARK AND DRILL FOR HARDWARE INSTALLATION.





INSTALL LOCKING SLIDES TO BRACKETS,
AND MOUNT BOX TO SLIDES

EQUIPMENT



EMERGENCY

NT



1616 MARLBOROUGH AVE. RIVERSIDE, CA 92507

FOR TECHNICAL ASSISTANCE WITH INSTALLATION OR
OTHER QUESTIONS, PLEASE CALL (951) 222-2270

OR EMAIL SUPPORT@IDSMP.COM

Thank you for your business!