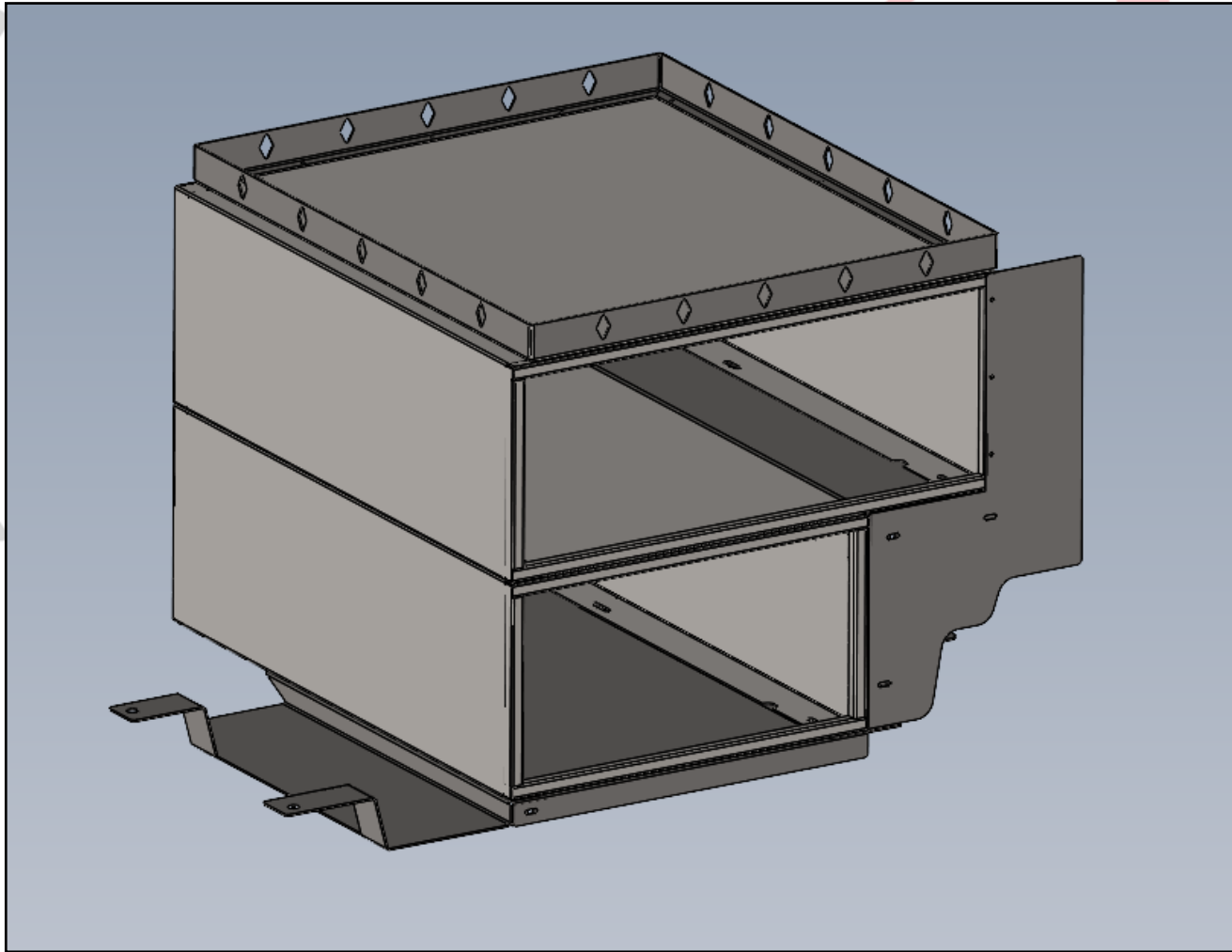


EMERGENCY EQUIPMENT

INV-BOX-CBY-303426-SLVR

INSTALLATION INSTRUCTIONS



INCLUDED FOR INSTALL:

CUBBY UNITS

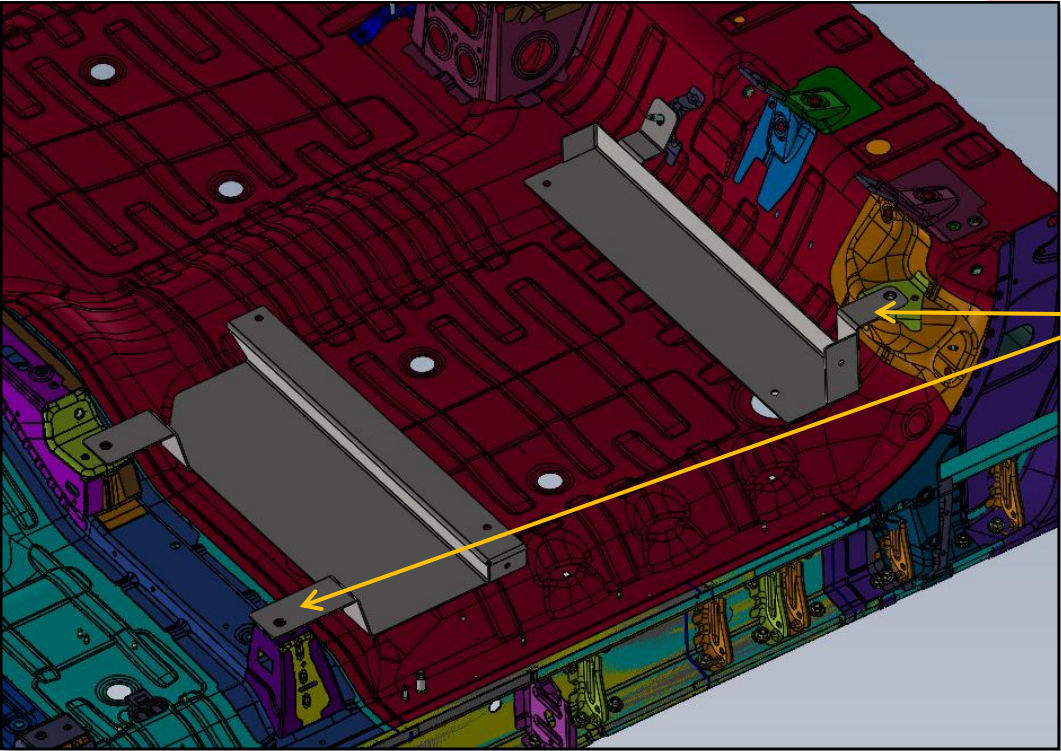
MOUNTING FOOT – REAR

MOUNTING FOOT – FRONT

¼-20 NUTSERTS, 4 EA.

¼-20 X ½" BHCS & WASHERS, 4 EA.

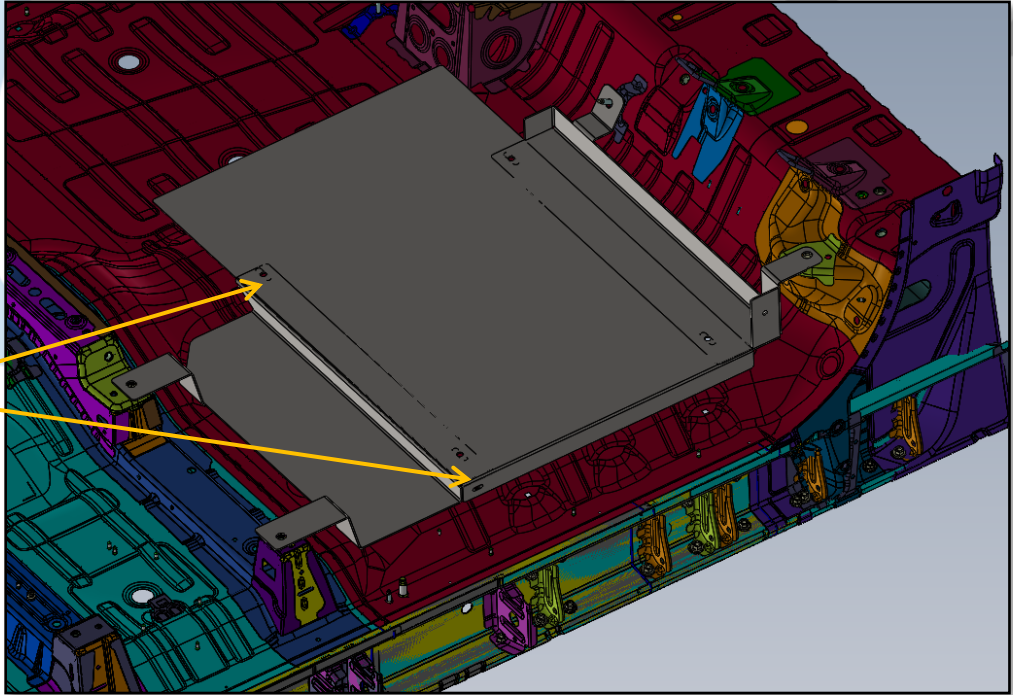
10-32 X ½" BHCS & WASHERS, 4 EA.



REMOVE REAR SEAT, LIFT FRONT SEAT FROM
REAR MOUNTING POINTS.
SET HARDWARE ASIDE FOR RE-USE.

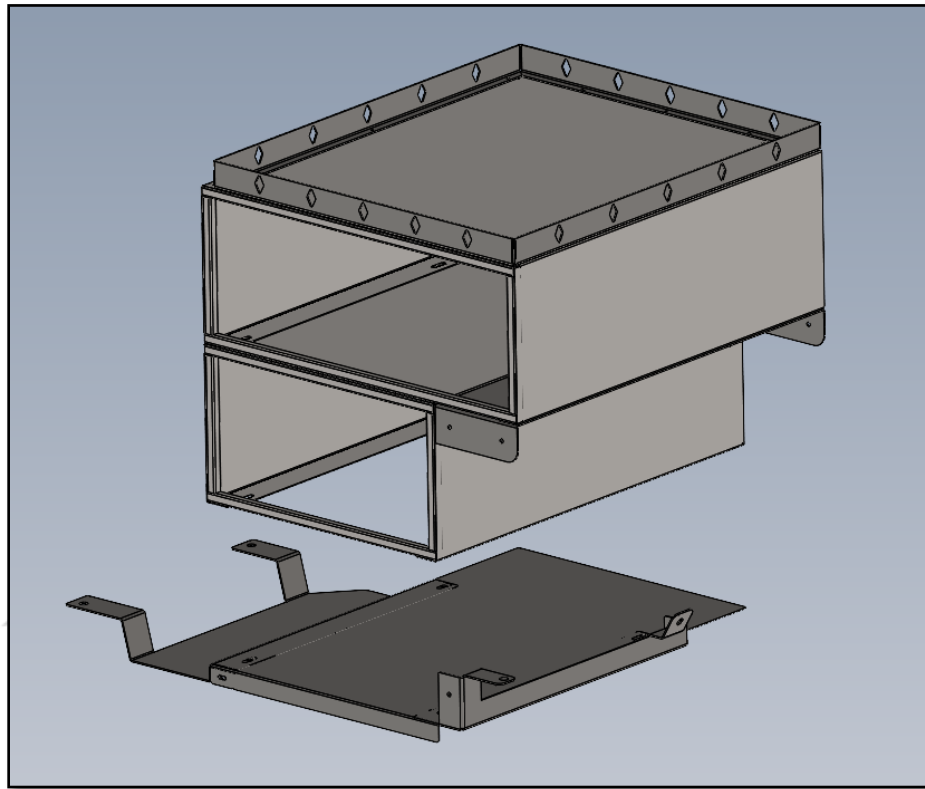
This diagram shows the aircraft floor structure with two grey mounting brackets. Yellow arrows point from the text boxes to the brackets. The floor is colored red, and various mechanical components are visible in blue, green, and purple.

ATTACH FRONT AND REAR MOUNTING
BRACKETS AS SHOWN USING FACTORY
HARDWARE



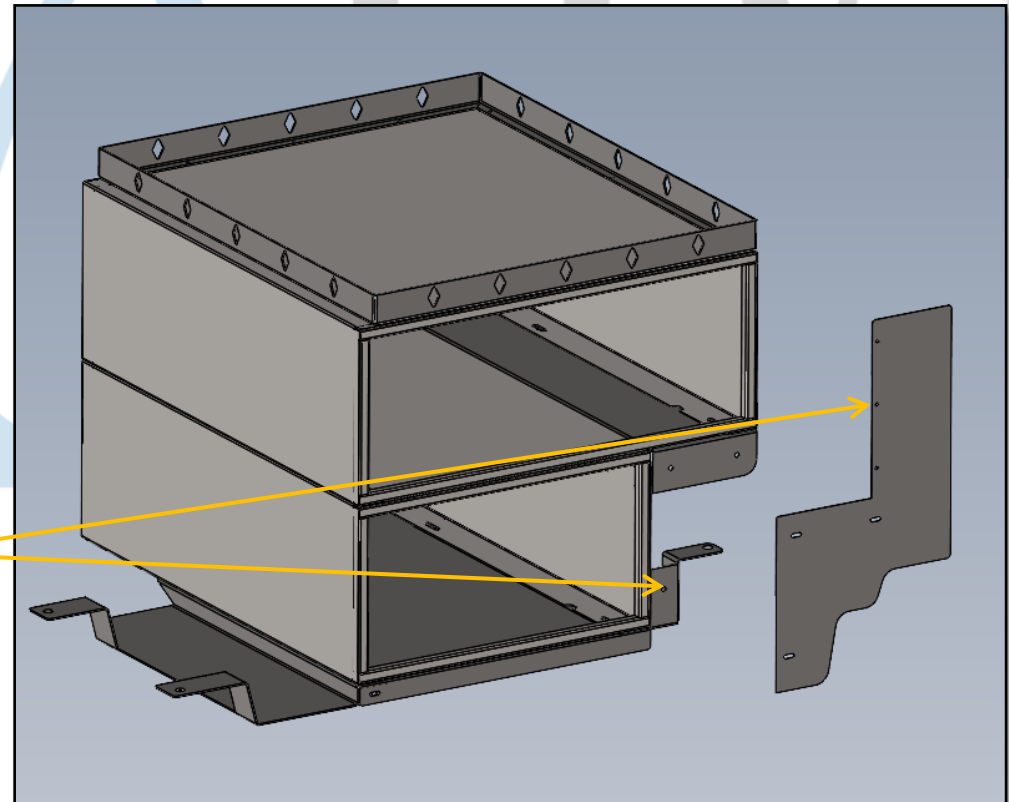
PLACE LOWER SHELF SKIN ON MOUNTING
BRACKETS, ALIGN WITH HOLES ON BRACKETS,
PLACE LIP FLUSH WITH OUTSIDE OF BRACKET

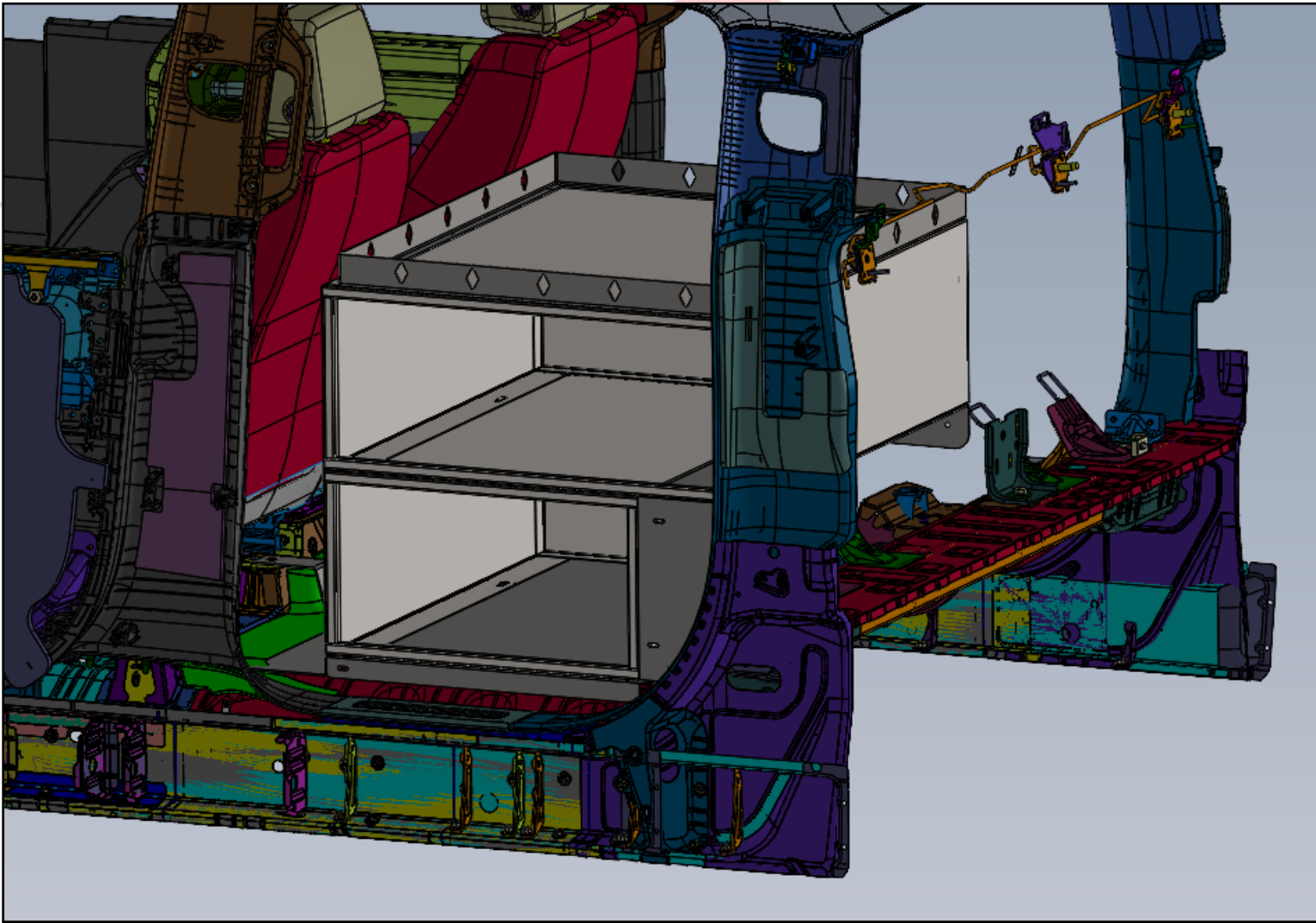
This diagram shows the same aircraft floor assembly as the previous one, but with a grey shelf skin placed on top of the mounting brackets. Yellow arrows point from the text box to the shelf skin. The shelf skin has a lip that fits into the brackets.



MOUNT CUBBIES ON BRACKETS AND SECURE WITH PROVIDED HARDWARE, ADJUST BOTTOM SKIN INTO POSITION AND TIGHTEN MOUNTING HARDWARE.

ATTACH TRIM PANEL TO HOLES IN MOUNTING BRACKETS, AND TO FRAME WITH SELF-TAPPING SCREWS.





INSTALLATION IS COMPLETE



1616 MARLBOROUGH AVE. RIVERSIDE, CA 92507

FOR TECHNICAL ASSISTANCE WITH INSTALLATION OR
OTHER QUESTIONS, PLEASE CALL (951) 222-2270

OR EMAIL SUPPORT@IDSMP.COM

Thank you for your business!