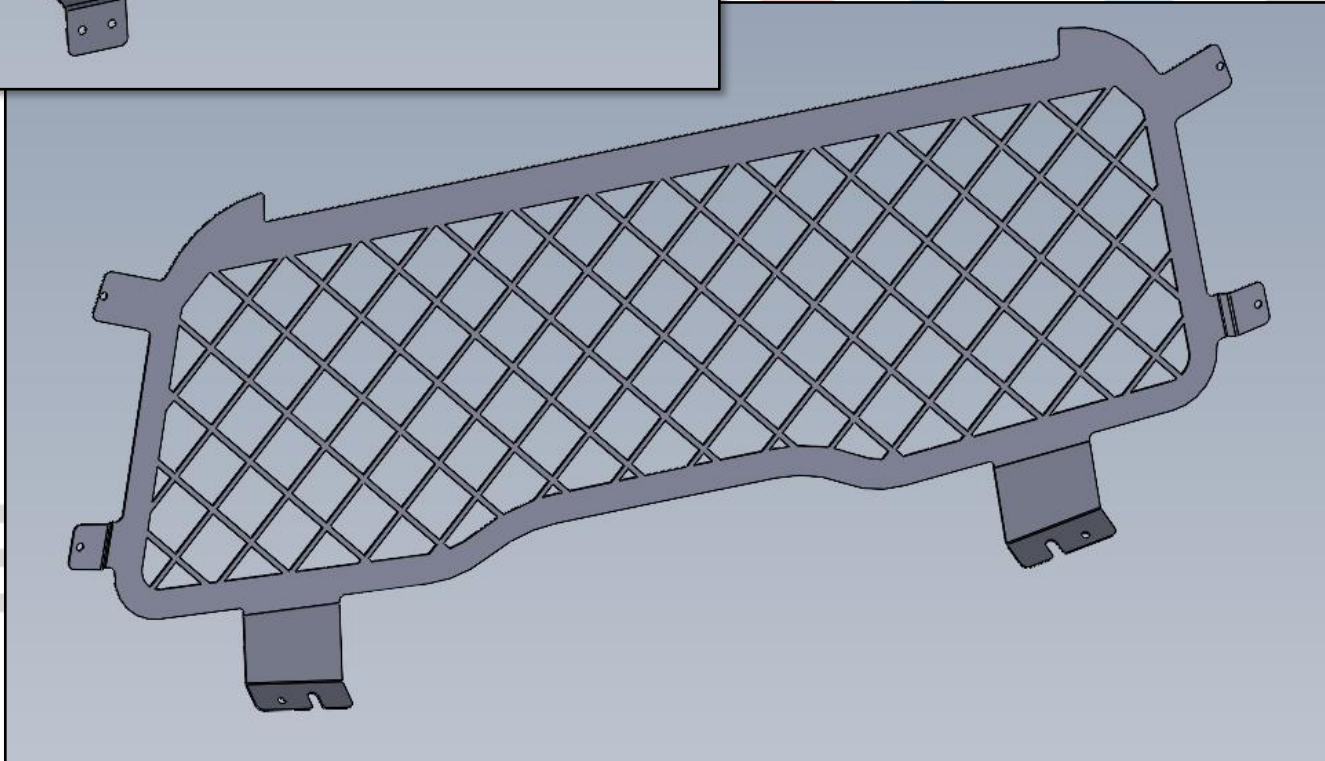
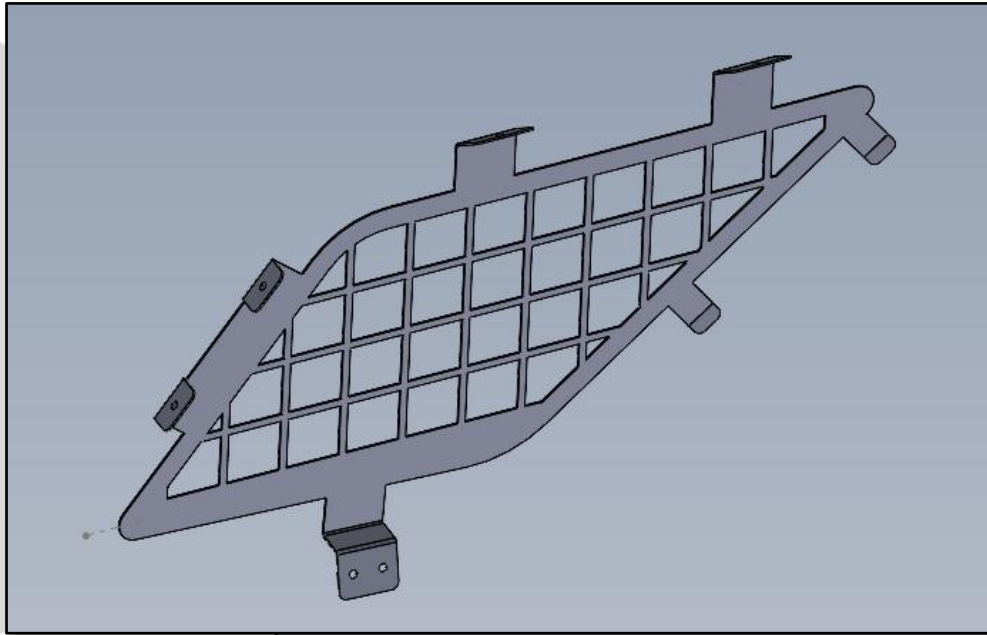


EMERGENCY EQUIPMENT

INV-WG-3PC-PIU20

INSTALLATION INSTRUCTIONS



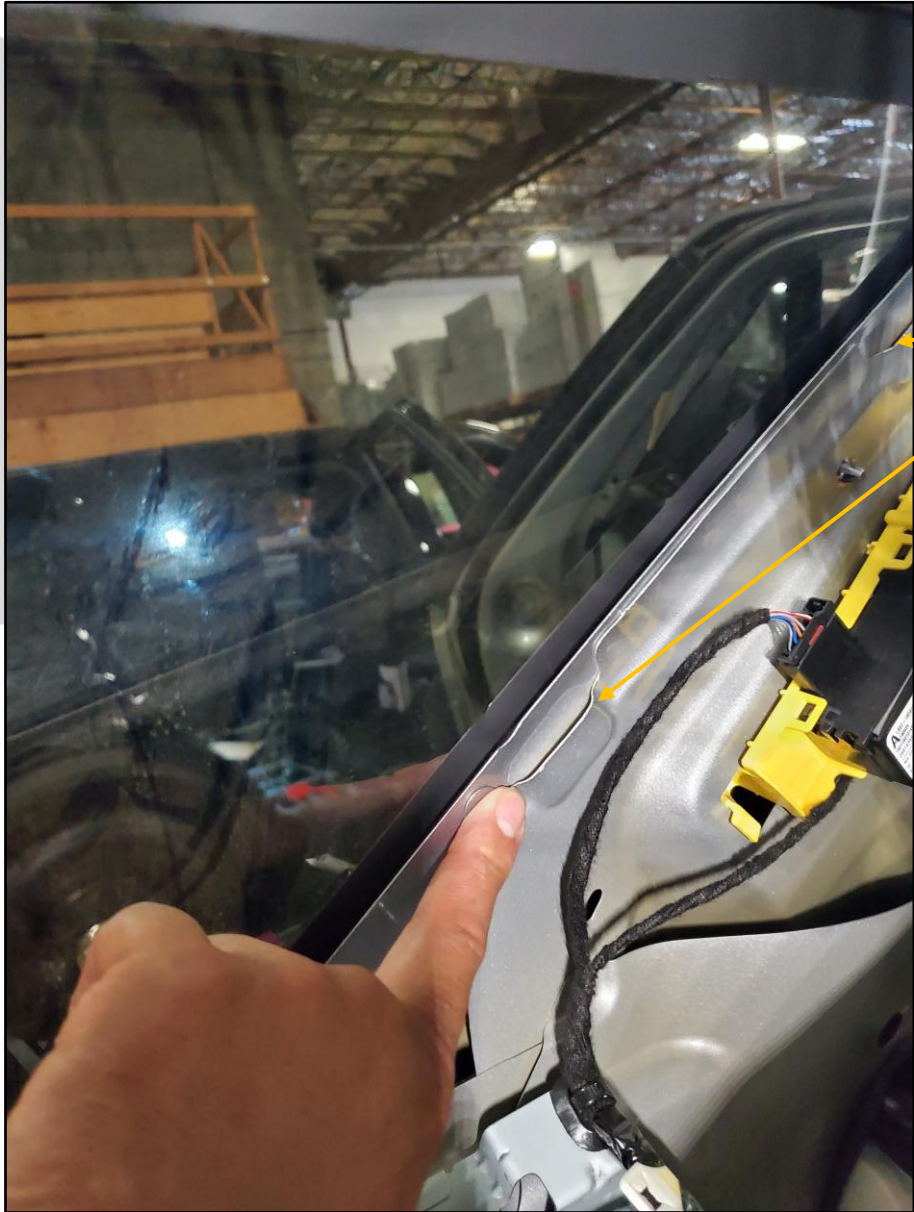
**PIU20 3-PC WINDOW GUARD  
INSTALLATION INSTRUCTIONS.**

**INSTALL KIT WILL INCLUDE:**

**LEFT & RIGHT QUARTER WINDOW  
MESH GUARD PANELS**

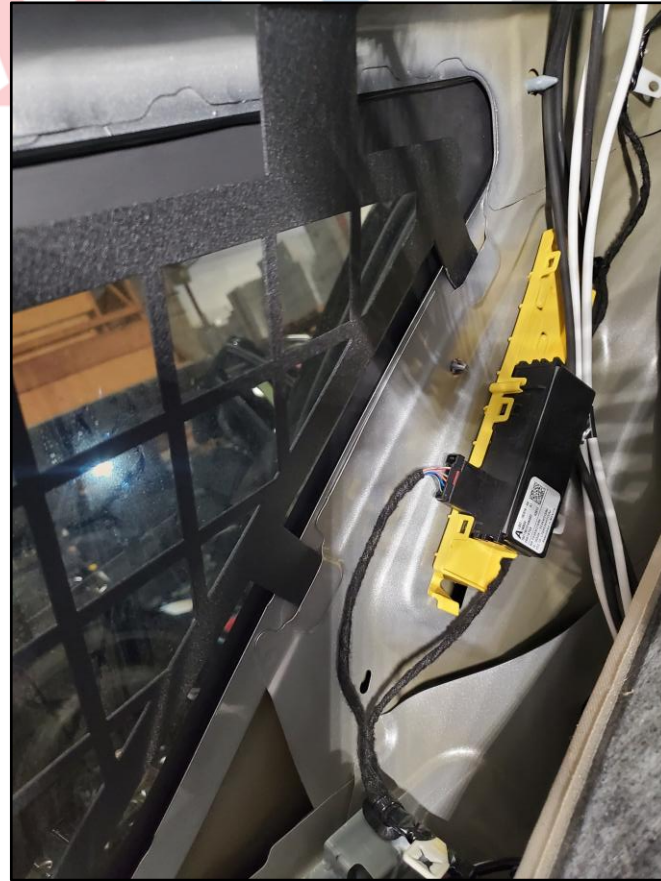
**REAR HATCH WINDOW MESH  
GUARD PANEL**

**20X SELF-TAPPING SCREWS FOR  
ATTACHING PANELS TO VEHICLE**

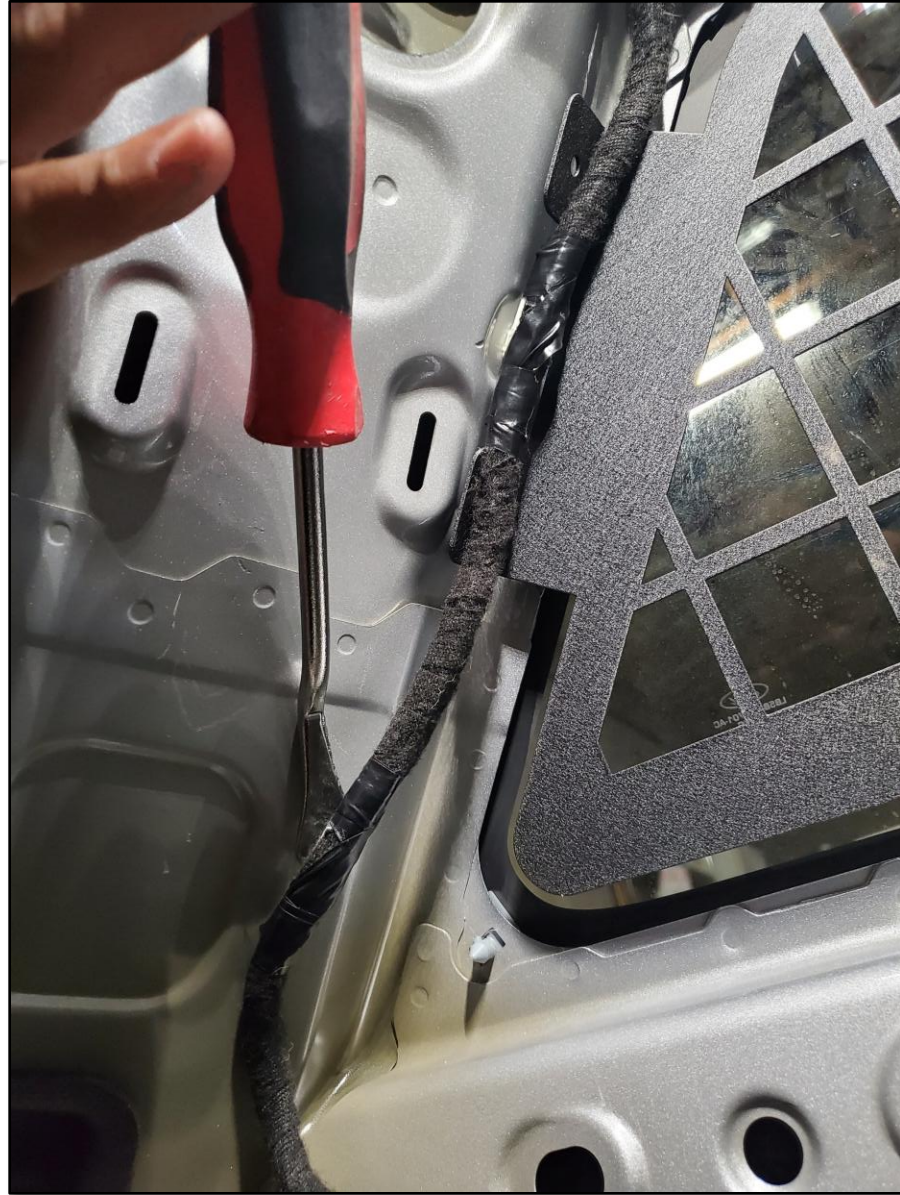


TO BEGIN INSTALL REMOVE ALL INTERIOR  
PLASTIC TRIM AROUND QUARTER WINDOWS  
AND REAR HATCH GLASS

ON QUARTER WINDOWS LOCATE THE SLOTS  
IN THE SHEET METAL AS SHOWN



PLACE WINDOW GUARD  
PANEL INTO SLOTS TO  
LOCATE PANEL FOR  
FOLLOWING STEPS



WITH GUARD PANEL IN POSITION,  
CAREFULLY REMOVE WIRE HARNESS  
AT REAR OF WINDOW TO ALLOW  
ACCESS TO SCREW HOLES.

EMERG

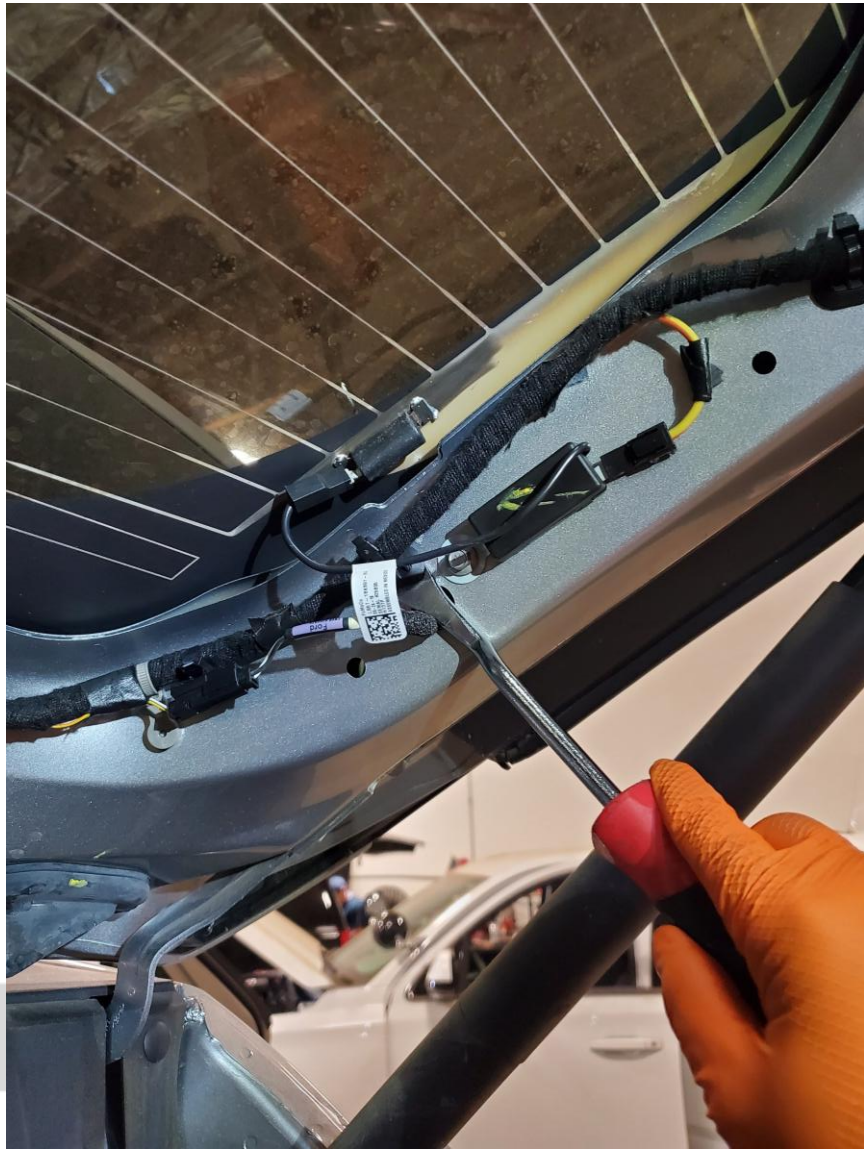
EQUIPMENT



WITH WIRE HARNESS CLEARED, ATTACH PANEL TO VEHICLE SHEET METAL WITH PROVIDED SELF-TAPPING SCREWS.



REMAINING TABS MAY BE SECURED TO SHEET METAL AT THIS TIME WITH PROVIDED SCREWS.



WITH REAR HATCH TRIM REMOVED,  
CAREFULLY LOOSEN WIRE HARNESS  
RETAINING CLIPS FROM  
SHEETMETAL.





REMOVE RETAINING BOLT FOR WIRING HARNESS, PLACE TAB FOR WINDOW GUARD OVER HOLE AND REPLACE RETAINING CLIP AND BOLT.





ATTACH REMAINING TABS WITH PROVIDED SELF-TAPPING SCREWS.  
CAREFULLY REPLACE WIRING HARNESS CLIPS.





TRIM INTERIOR PLASTICS TO FIT WINDOW GUARD TABS AND RE-INSTALL PLASTICS.

INSTALL IS COMPLETE.



1616 MARLBOROUGH AVE. RIVERSIDE, CA 92507

FOR TECHNICAL ASSISTANCE WITH INSTALLATION OR  
OTHER QUESTIONS, PLEASE CALL (951) 222-2270

OR EMAIL [SUPPORT@IDSMP.COM](mailto:SUPPORT@IDSMP.COM)

*Thank you for your business!*